

# ASSEMBLY INSTRUCTIONS








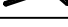
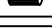
Read this instruction carefully. See hardware and furniture part list for guidance. Be sure all parts are complete, before you assemble. Place all wooden furniture parts on a clean and flat soft surface to prevent from being scratched. Follow the figure to start assembling.

**CAUTIONS :** 1. Do not FULLY - TIGHTEN the nut or nut bolt until all nut or bolt is ready assembled.  
2. Do not OVER - TIGHTEN the nut or bolt to avoid causing damages to the thread.  
3. Keep all hardware parts out of reach of children.

NOTE : THE LIST AND QUANTITY SHOWN ARE FOR 1 UNIT ASSEMBLY.

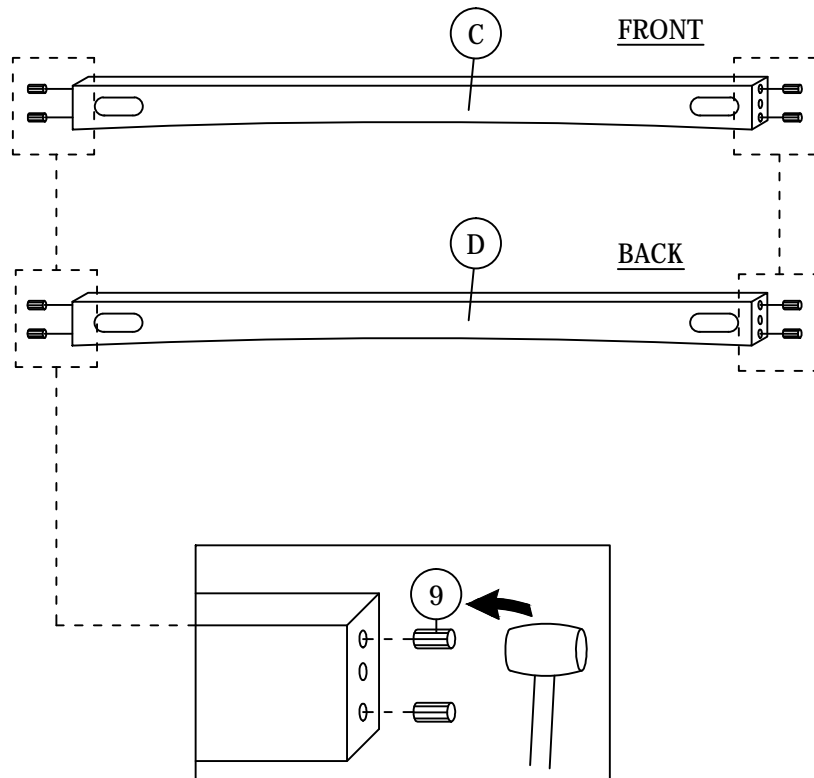
Tool needed : Screwdriver & Hammer (not provider).

PART LIST		
ITEM	DESCRIPTION	QTY
A	CUSHION BACK	1 PC
B	CUSHION SEAT	1 PC
C	LEG SUPPORT FRONT	1 PC
D	LEG SUPPORT BACK	1 PC
E	LEG LEFT	1 PC
F	LEG RIGHT	1 PC

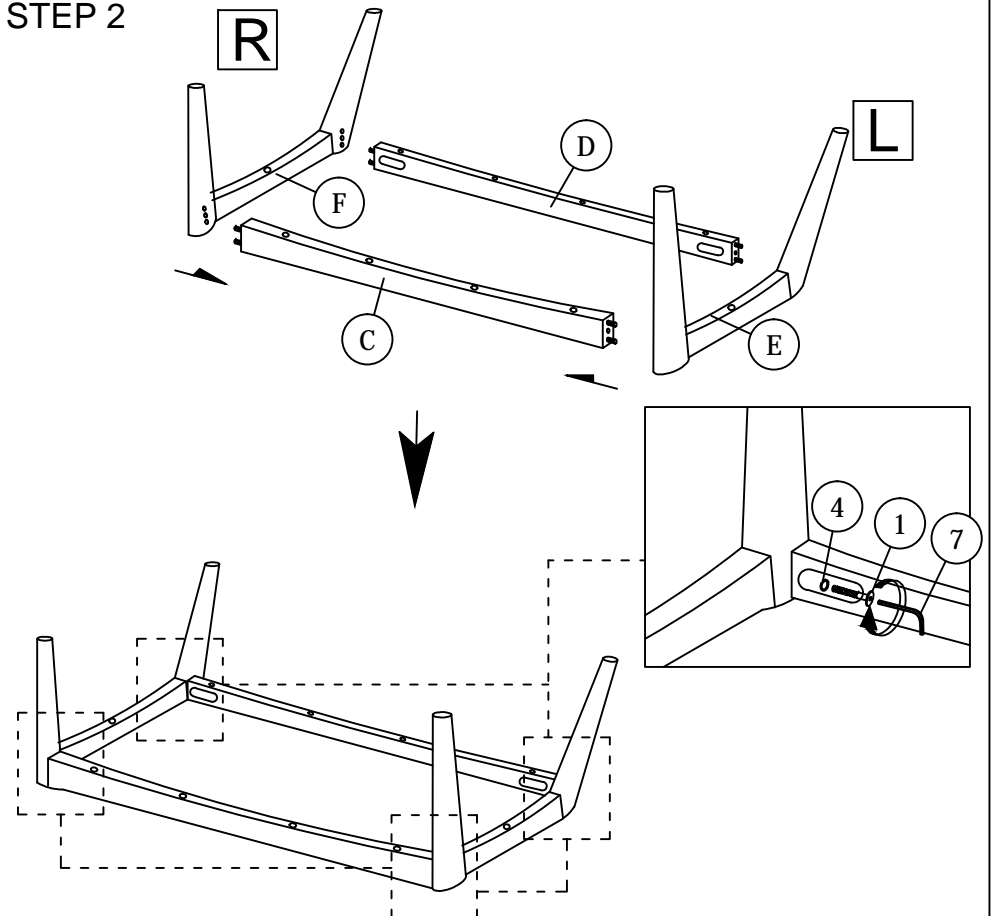
HARDWARE LIST		
ITEM	DESCRIPTION	QTY
1	JCBC Bolt M6 x 50mm 	4pcs
2	JCBC Bolt M8 x 45mm 	6pcs
3	M8 FLAT WASHER 	6pcs
4	M6 SPRING WASHER 	4pcs
5	M8 SPRING WASHER 	6pcs
6	WOOD SCREW M4 x 38 	10PCS
7	M4 ALLEN KEY (BALL SHAPE) 	1PC
8	M5 ALLEN KEY (BALL SHAPE) 	1PC
9	WOOD DOWEL M8 x 30mm 	8PCS

## STEP 1

1.1 Open the zip at the bottom of cushion seat and take out all part hardware.

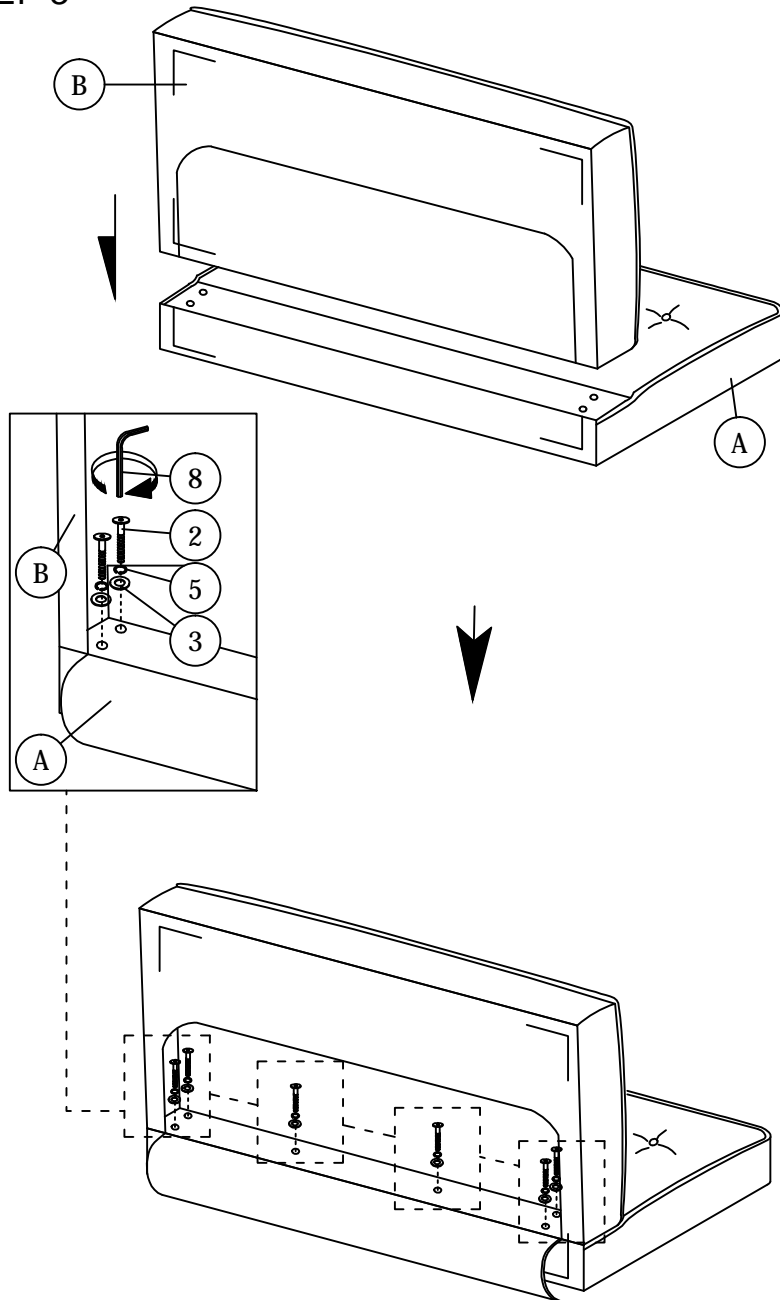


## STEP 2



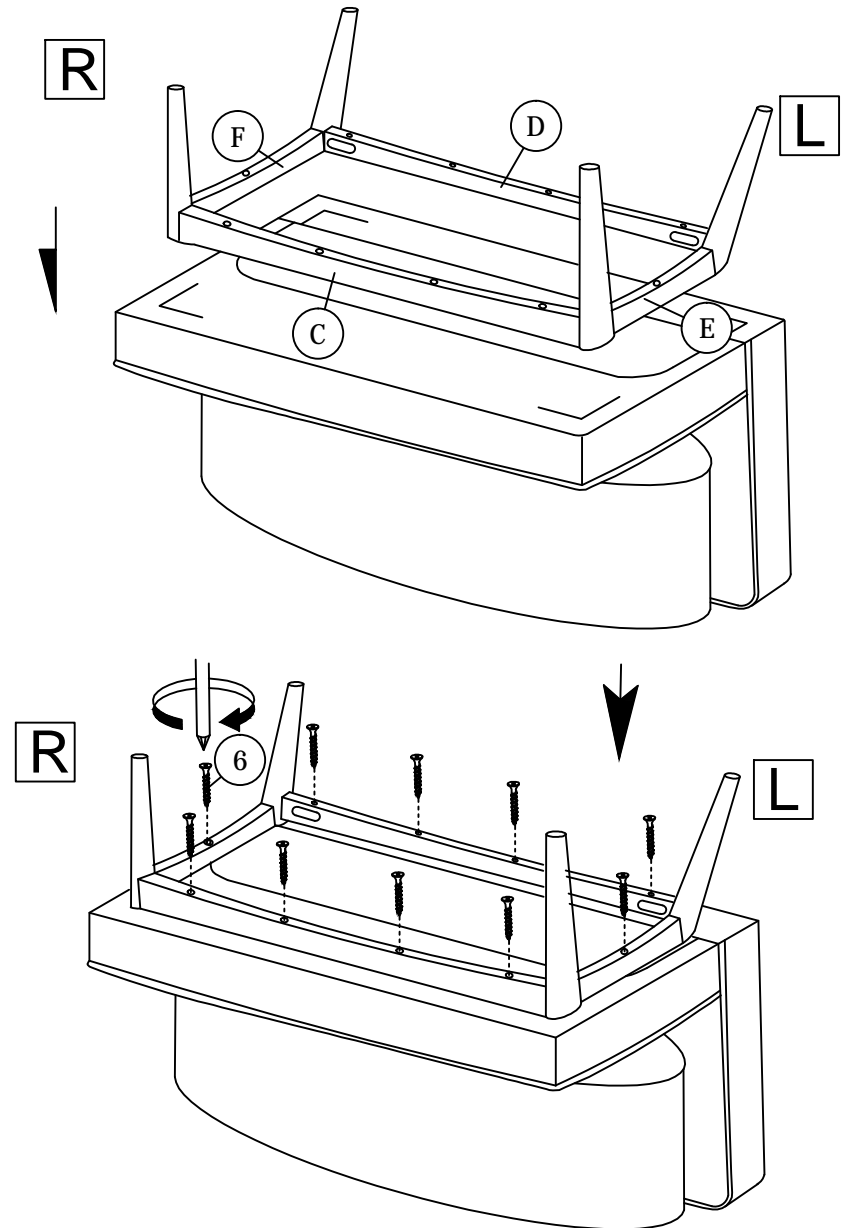
# ASSEMBLY INSTRUCTIONS

## STEP 3



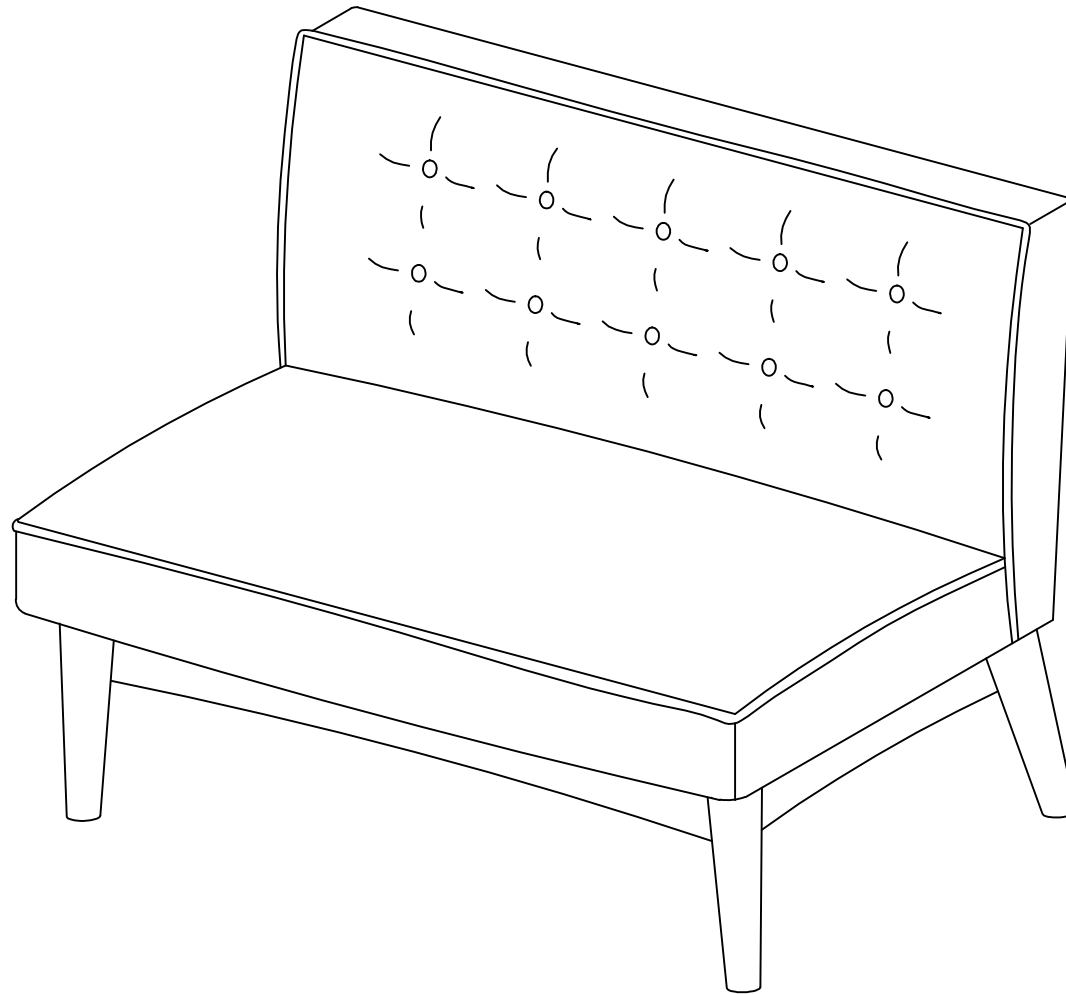
## STEP 4

4.1 Follow marking line assemble leg.



# ASSEMBLY INSTRUCTIONS

STEP 5



# ASSEMBLY INSTRUCTIONS










Read this instruction carefully. See hardware and furniture part list for guidance. Be sure all parts are complete, before you assemble. Place all wooden furniture parts on a clean and flat soft surface to prevent from being scratched. Follow the figure to start assembling.

**CAUTIONS :** 1. Do not FULLY - TIGHTEN the nut or nut bolt until all nut or bolt is ready assembled.  
2. Do not OVER - TIGHTEN the nut or bolt to avoid causing damages to the thread.  
3. Keep all hardware parts out of reach of children.

**NOTE :** THE LIST AND QUANTITY SHOWN ARE FOR 1 UNIT ASSEMBLY.

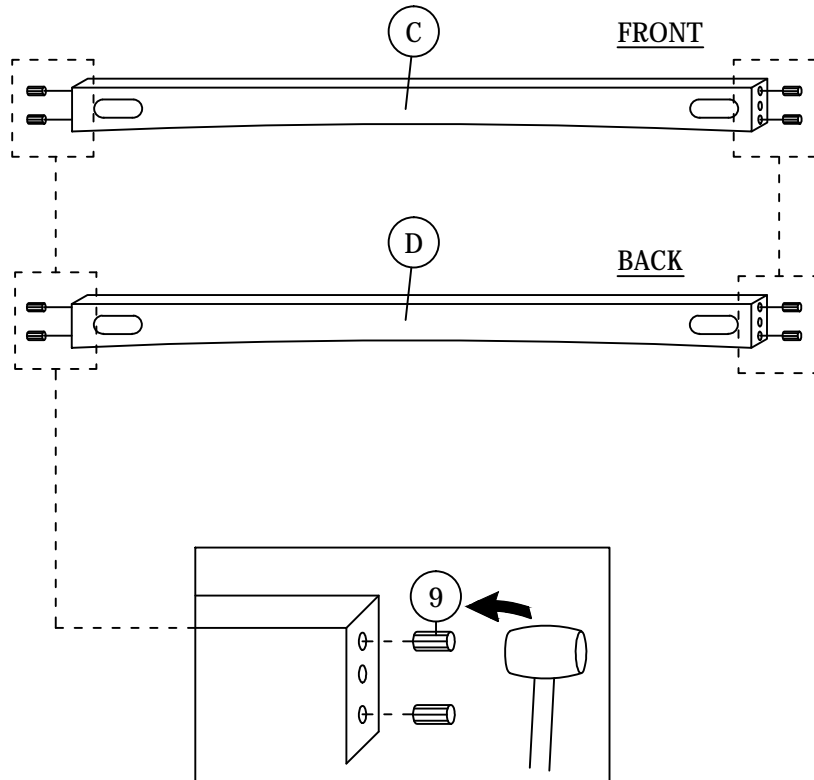
Tool needed : Screwdriver & Hammer (not provider).

PART LIST		
ITEM	DESCRIPTION	QTY
A	CUSHION BACK	1 PC
B	CUSHION SEAT	1 PC
C	LEG SUPPORT FRONT	1 PC
D	LEG SUPPORT BACK	1 PC
E	LEG LEFT	1 PC
F	LEG RIGHT	1 PC

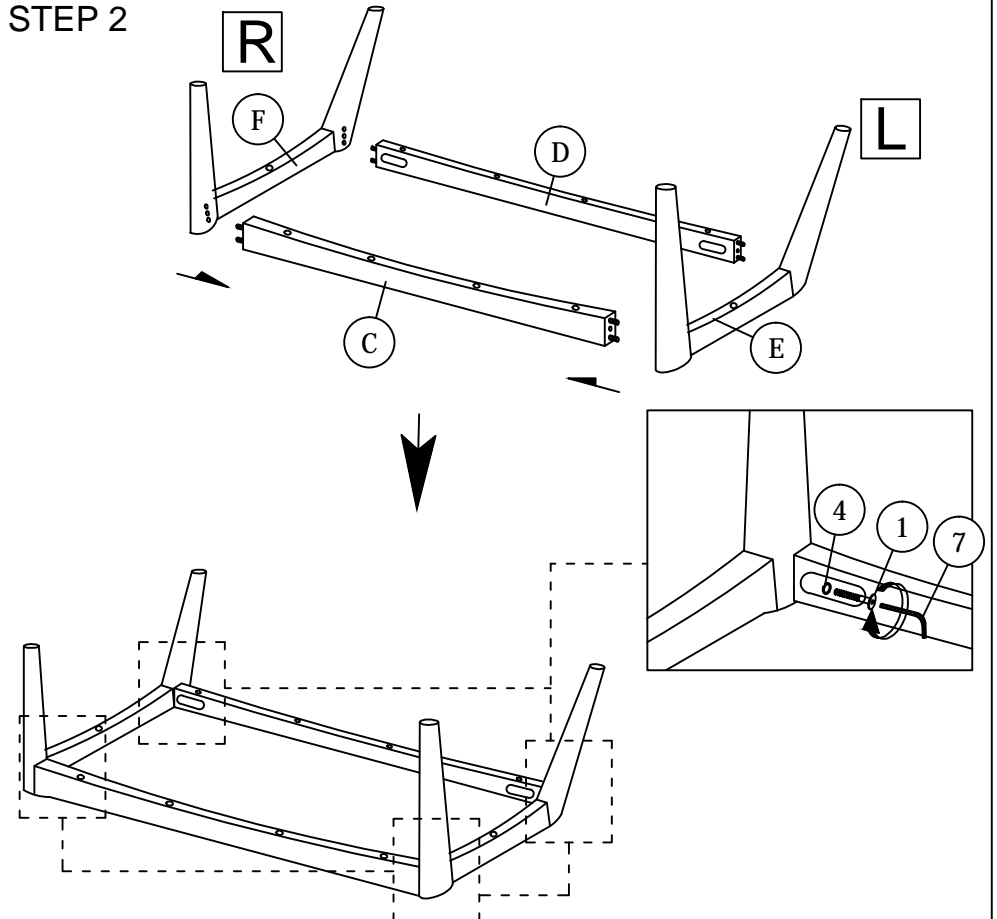
HARDWARE LIST		
ITEM	DESCRIPTION	QTY
1	JCBC Bolt M6 x 50mm 	4pcs
2	JCBC Bolt M8 x 45mm 	8pcs
3	M8 FLAT WASHER 	8pcs
4	M6 SPRING WASHER 	4pcs
5	M8 SPRING WASHER 	8pcs
6	WOOD SCREW M4 x 38 	10PCS
7	M4 ALLEN KEY (BALL SHAPE) 	1PC
8	M5 ALLEN KEY (BALL SHAPE) 	1PC
9	WOOD DOWEL M8 x 30mm 	8PCS

## STEP 1

1.1 Open the zip at the bottom of cushion seat and take out all part hardware.

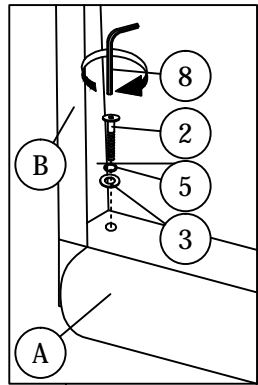
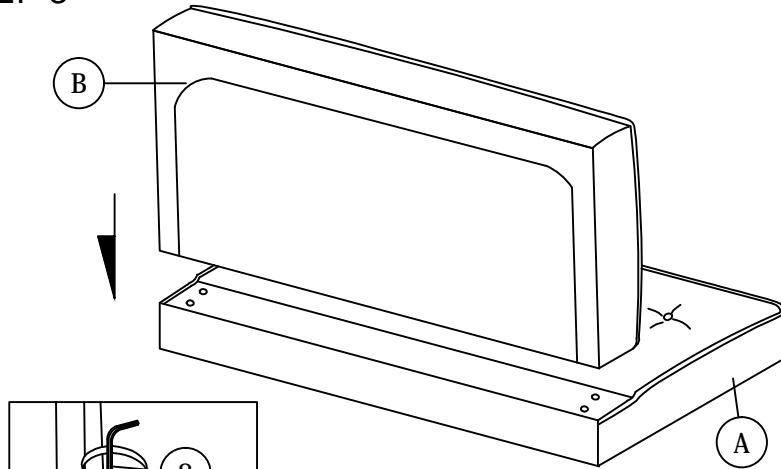


## STEP 2

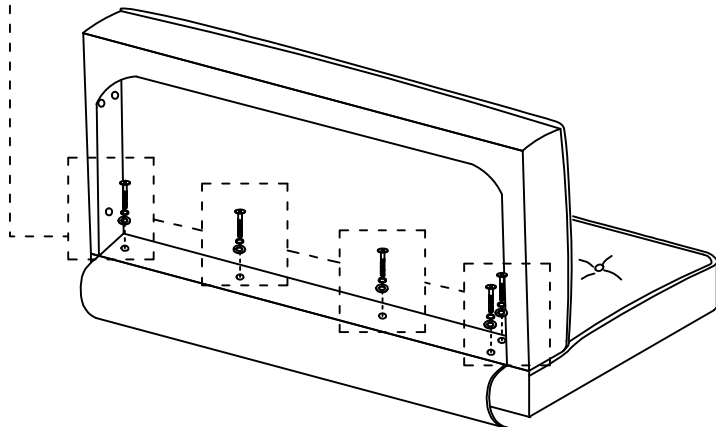


# ASSEMBLY INSTRUCTIONS

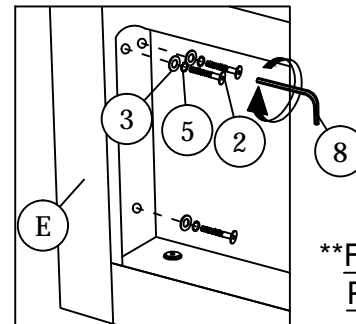
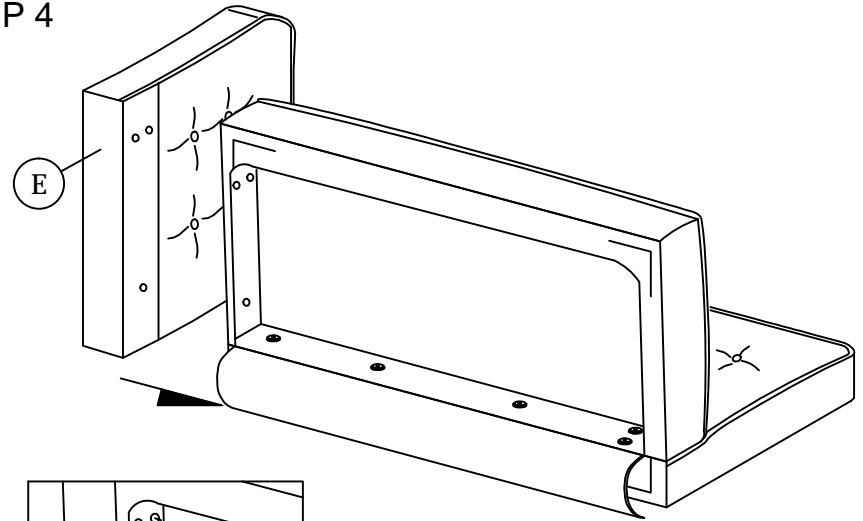
## STEP 3



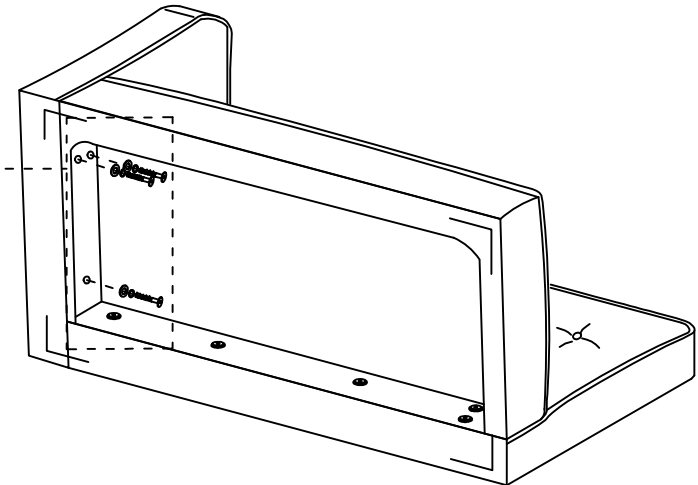
Don't screw tied



## STEP 4

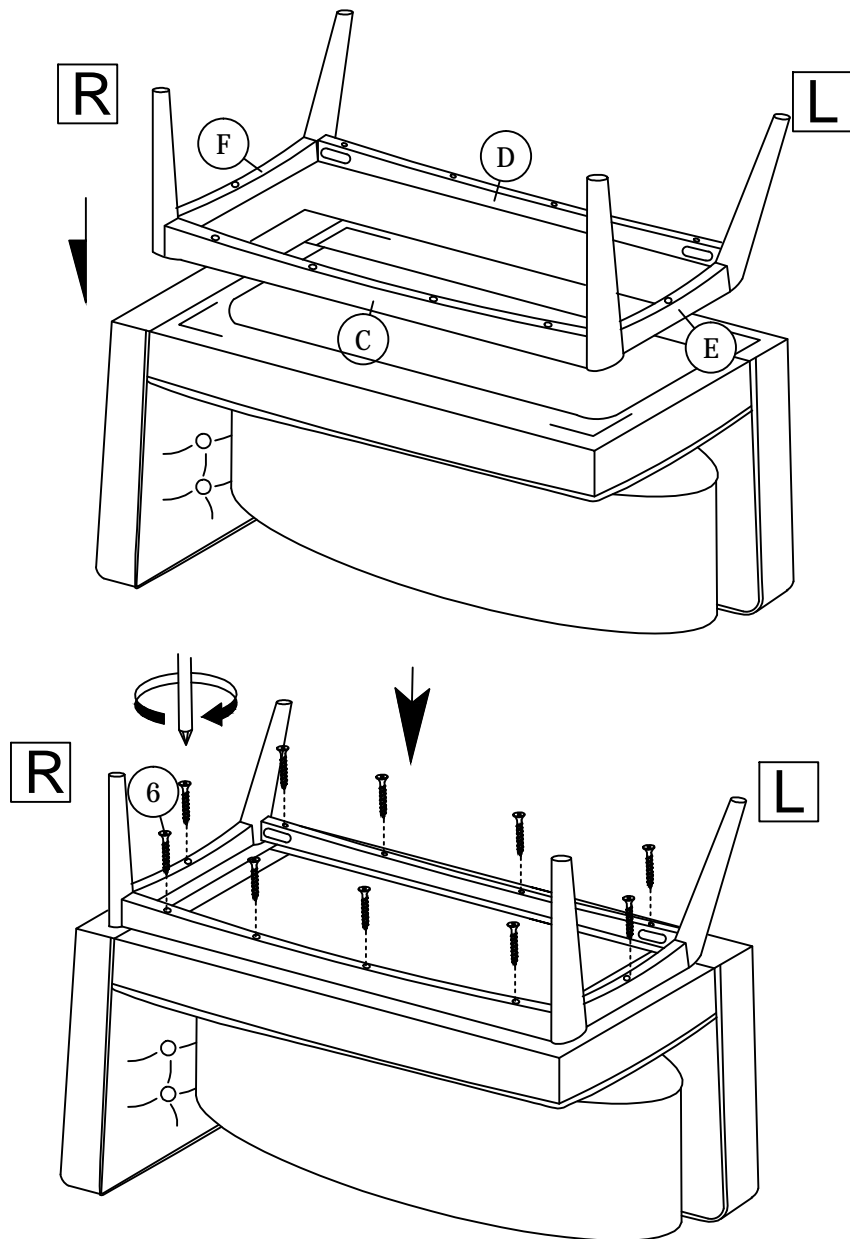


**\*\*Finish step 4,  
Please screw tied the step 3 bolt.**



# ASSEMBLY INSTRUCTIONS

STEP 5 5.1 Follow marking line assemble leg.



STEP 6

